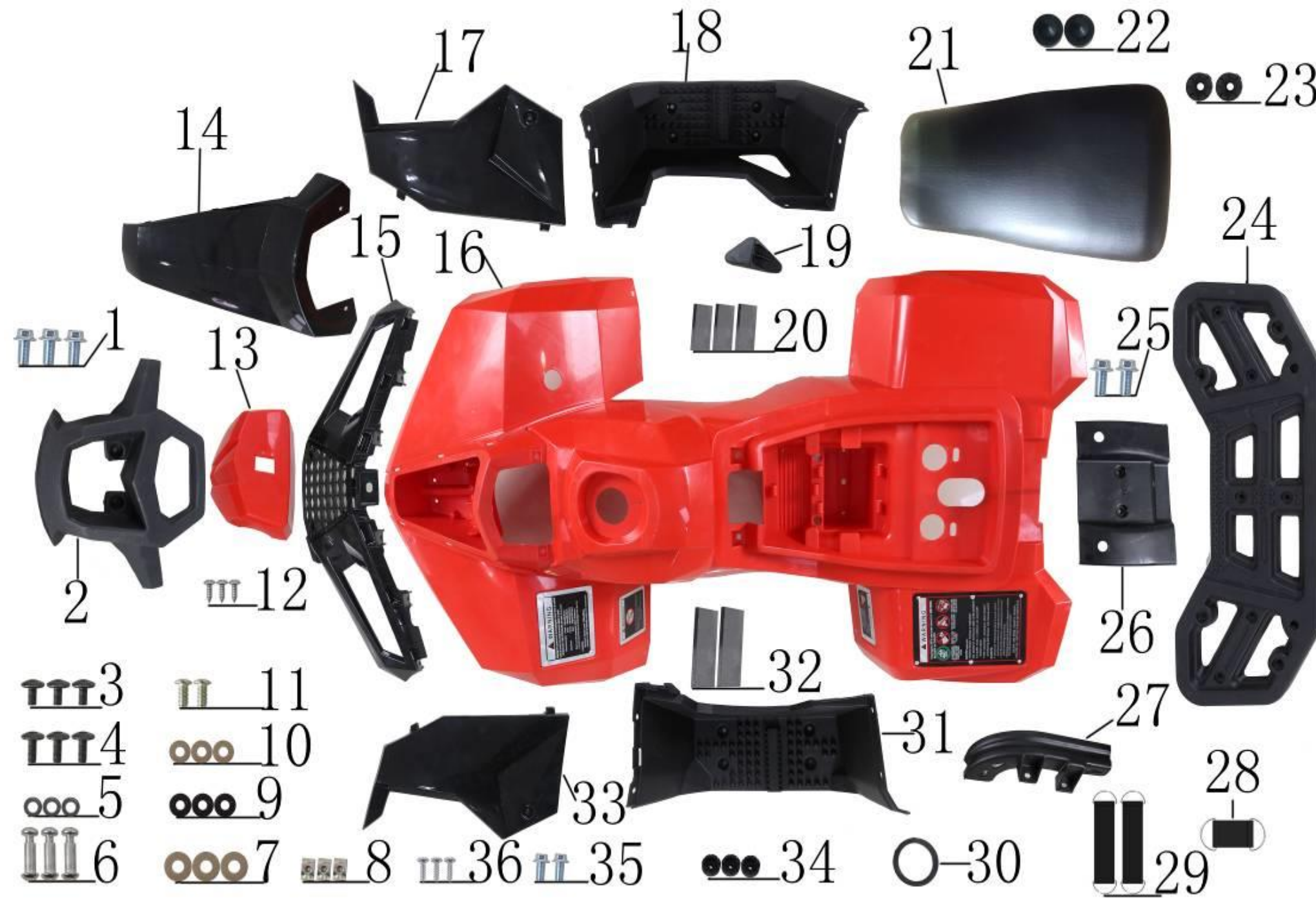




SHSCHEMATICS AND PARTS LIST

Blazer 110H

ATA110-C Parts list



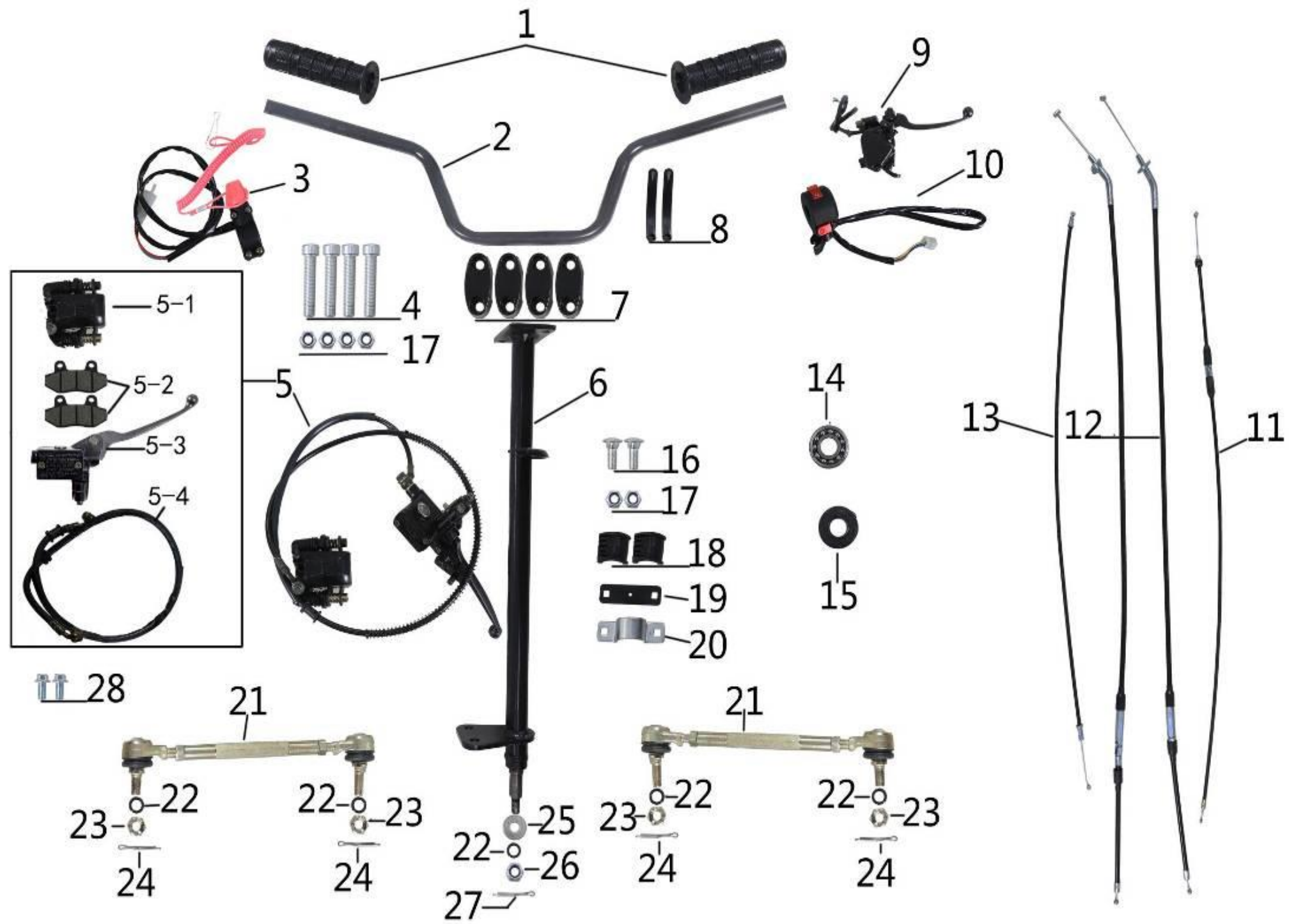
Plastic cover

No.	English name	Specification	Qty	ERP No.	No.	English name	Specification	Qty	ERP No.
1	Hex Flange Bolt; M8x16	M8*16	3	105194	27	Chain Cover	PP专用	1	602451
2	Bumper - Front	PP专用	1	602454	28	Tool Box Strap		1	115018
3	Large flat head hex socket bolts; M6x12	M6*12	10	113217	29	Battery Strap		2	115019
4	Large flat head hex socket bolts; M6x16	M6*16	18	110887	30	Main Cable Sheath	橡胶件	1	113755
5	Flat Washer; φ6x16x1.5	φ6	18	105450	31	Left Footrest	PP专用	1	602461
6	Double lock Hex Socket Bolt; φ8xM6x20	φ8*M6*20	8	113219	32	Sponge Mat; 110*20*5	110*20*5	2	115017
7	Flat Washer; φ6xφ22x1.5	φ6*φ22*1.5	8	105455	33	Front Side Panel - Left	PP专用	1	602464
8	Self Tapping Clip; M4.2	M4.2	6	105873	34	Pedals Shockproof Rubber Parts; 专用	专用	8	112956
9	Flat Washer; φ16xφ6.3x1.5	φ6	22	101701	35	Hex Flange Bolt; M6x12	M6*12	2	105131
10	Flat Washer; φ8xφ20x1.5	φ8*φ20*1.5	18	105466	36	Cross Self Tapping Screw; ST4.8x12	ST4.8*12	4	105382
11	Cross Large Flat Head bolt; M6*16	M6*16	2	104787					
12	Cross Self Tapping Screw; ST4.2*12	ST4.2*12	16	601797					
13	Gear Indicator Cover- Painted ATA 110 C	PP专用	1	602465					
14	Control Box Cover ATA 110 C	PP专用	1	602466					
15	HeadLight Trim ATA 110 C	PP专用	1	602459					
16	One Piece Body- Single Color Painted	PP专用	1	602460					
17	Front Side Panel - Right	PP专用	1	602463					
18	Hex Flange Bolt; M8x17	PP专用	1	602462					
19	Bumper - Front	PP专用	1	602709					
20	Large flat head hex socket bolts; M6x20	55*20*5	8	115015					
21	Large flat head hex socket bolts; M6x24	专用	1	112950					
22	Flat Washer; φ6x16x1.6	φ22	2	112916					
23	Double lock Hex Socket Bolt; φ8xM6x21	专用	2	112957					
24	Flat Washer; φ6xφ22x1.6	PP专用	1	602452					
25	Self Tapping Clip; M4.3	M8*20	2	105204					

26		Hex Flange Bolt; M8x17	PP专用	1	602453		
----	--	---------------------------	------	---	--------	--	--

ZHE JIANG TAOTAO VEHICLES CO.,LTD

ATA110-C Parts list



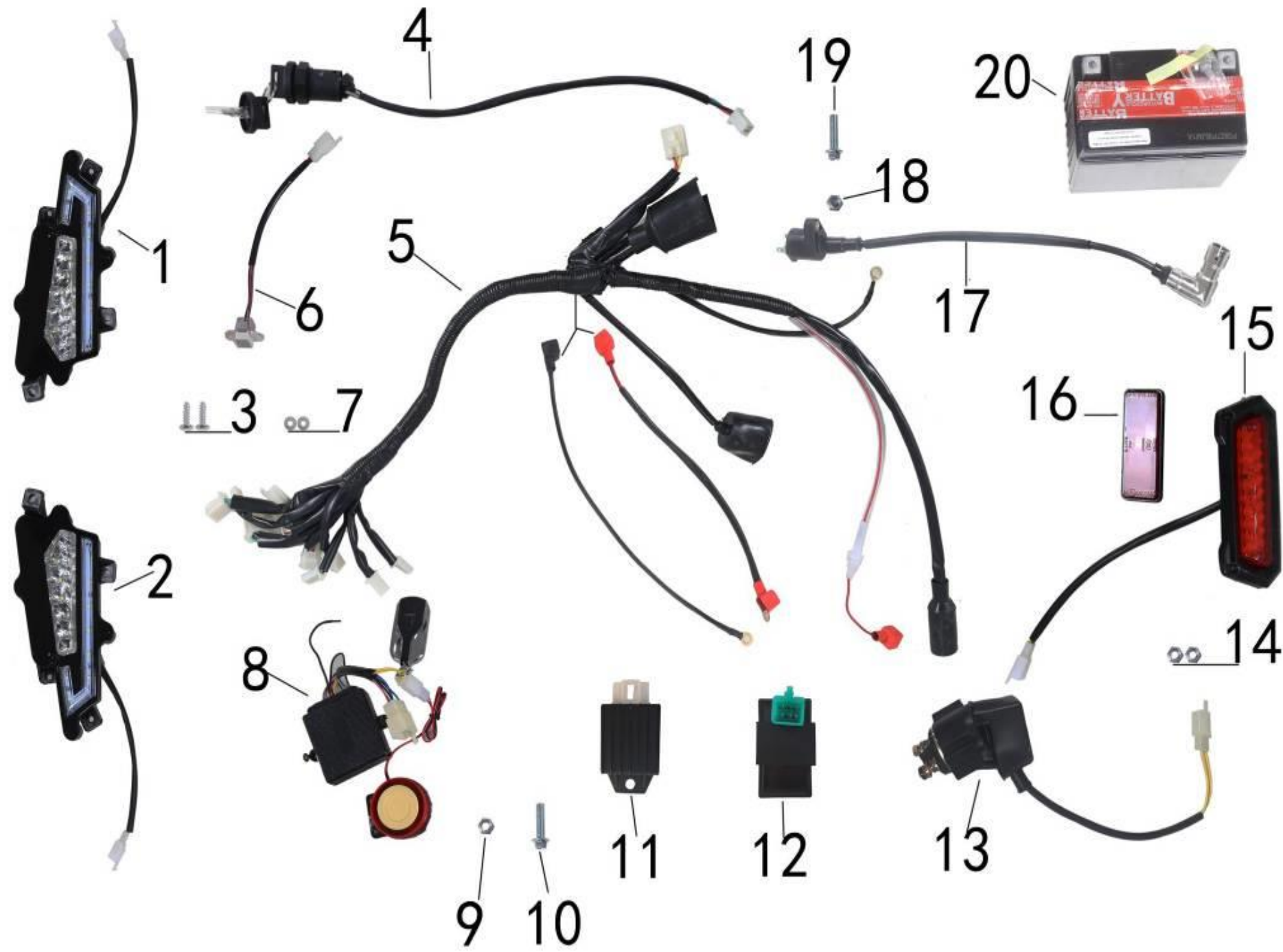
Front suspension system

No.	English name	Specification	Qty	ERP No.	No.	English name	Specification	Qty	ERP No.
1	Hand Grip Set	专用	1套	112951	23	Castle Nut; M10×1.5	M10*1.5	4	105321
2	Hand Grip/Throttle Grip	专用	1	602457	24	Cotter Pin; φ2.5×30	φ2.5*30	4	105338
3	Tether Switches;	同小50	1	109514	25	Flat Washer; φ20×φ10×	φ10*φ20*1.5	1	105393
4	Column Hex Socket Bolt; M8x40	M8*40	4	105855	26	Locknut; M10x1.5	M10*1.5	1	105256
5	Rear Disk Brake Assembly	油管1350mm	1套	112939	27	Cotter Pin; φ3x25	φ3*25	1	109643
5-1	Disk Brake Caliper		1	115035	28	Hex Flange Bolt; M8x1	M8*16	2	105194
5-2	Rear Disk Brake Pad		1	115036	29	Wire Clamp		1	603064
5-3	Brake Level		1	115037					
5-4	Rear Disk Brake Line		1	115038					
6	Triple Tree	专用	1	602427					
7	Handle Bar Clamp	同小50	1套	101676					
8	Rubber bandage	专用	2只	112953					
9	Brake/Throttle Control Assemblies for All ATVs	同小50	1	109414					
10	Left Handle Bar Switch;w/ Chock Lever	二功能带风门	1	112945					
11	Throttle Cable; 785/72	785/72	1	112942					
12	Front Brake Cable; 1020/95	1020/95	2	112947					
13	Choke Cables; 721/66	721/66	1	112946					
14	Needle Roller Bearing; 2202	2202	1	111476					
15	Oil Seal; 17x35x7	17*35*7	1	111485					
16	Alien Bolt	借用ATA300-F	2	111065					
17	Locknut; M8	M8	6	105276					
18	Triple Tree Install Rubber Parts	借用ATA300-F	2	112474					
19	Triple Tree Install Rubber mat	借用ATA300-F	1	112537					
20	Steering Shaft Fixed Seat		1	603062					
21	Tie Rod; 135mm	135mm	2	112938					

22		Spring Washer	M10_发黑	5	104867		
----	--	---------------	--------	---	--------	--	--

ZHE JIANG TAOTAO VEHICLES CO.,LTD

ATA110-C Parts list

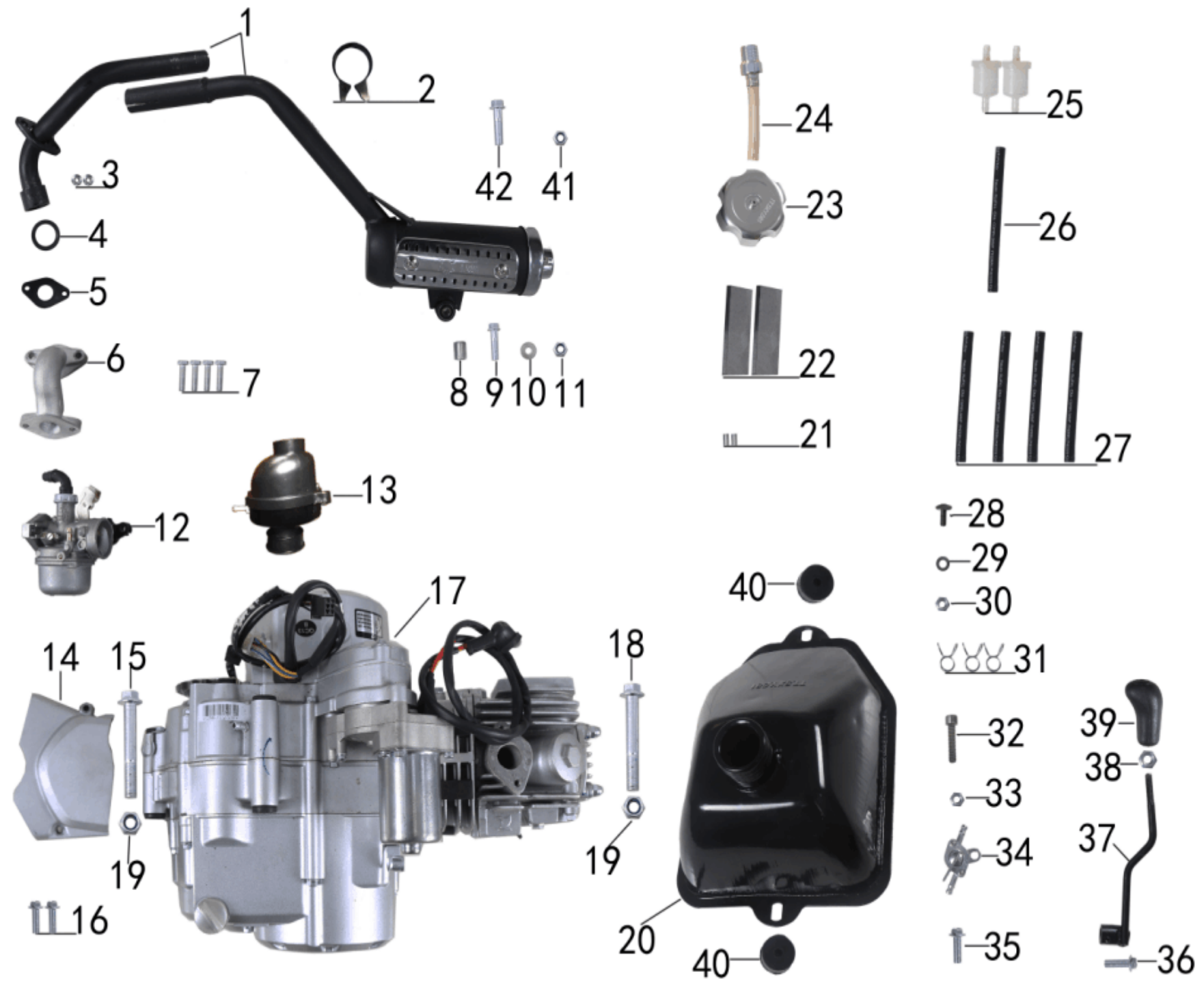


Electric system

No.	English name	Specification	Qty	ERP No.	No.	English name	Specification	Qty	ERP No.
1	Left Headlight Assembly	专用	1	112842					
2	Right Headlight Assembly	专用	1	112843					
3	Cross Self Tapping Screw; ST3.8*12	ST3.8*12	2	107921					
4	Ignition Key Switch For 110cc Utility ATVs; 4 Wire Male	带螺纹	1	100699					
5	Wire Harness	专用	1	602450					
6	Gear Indicator	同110卡丁车	1	601785					
7	Flat Washer; φ4*10*1	φ4*10*1	2	106930					
8	Remote Control / Alarm	同小50	1	100394					
9	Locknut; M6	M6	1	105272					
10	Hex Flange Bolt; M6x16	M6*20	1	105140					
11	Regulator	同小50	1	100730					
12	CDI	限速24KM/H	1	115204					
13	Starter Relay / Solenoid for All ATVs	同小50	1	101384					
14	Locknut; M6	M6	2	105272					
15	Tail Lights Assembly	专用	1	112844					
16	Reflector; Rectangle; Red for E1-350 and more	长方红	1	100907					
17	Ignition Coil	同小50	1	101008					
18	Locknut; M6	M6	1	105272					
19	Hex Flange Bolt; M6x16	M6*20	1	105140					
20	12V Battery; 12V 5Ah	12V5AH后加液	1	103277					

ZHE JIANG TAOTAO VEHICLES CO.,LTD

ATA110-C Parts list



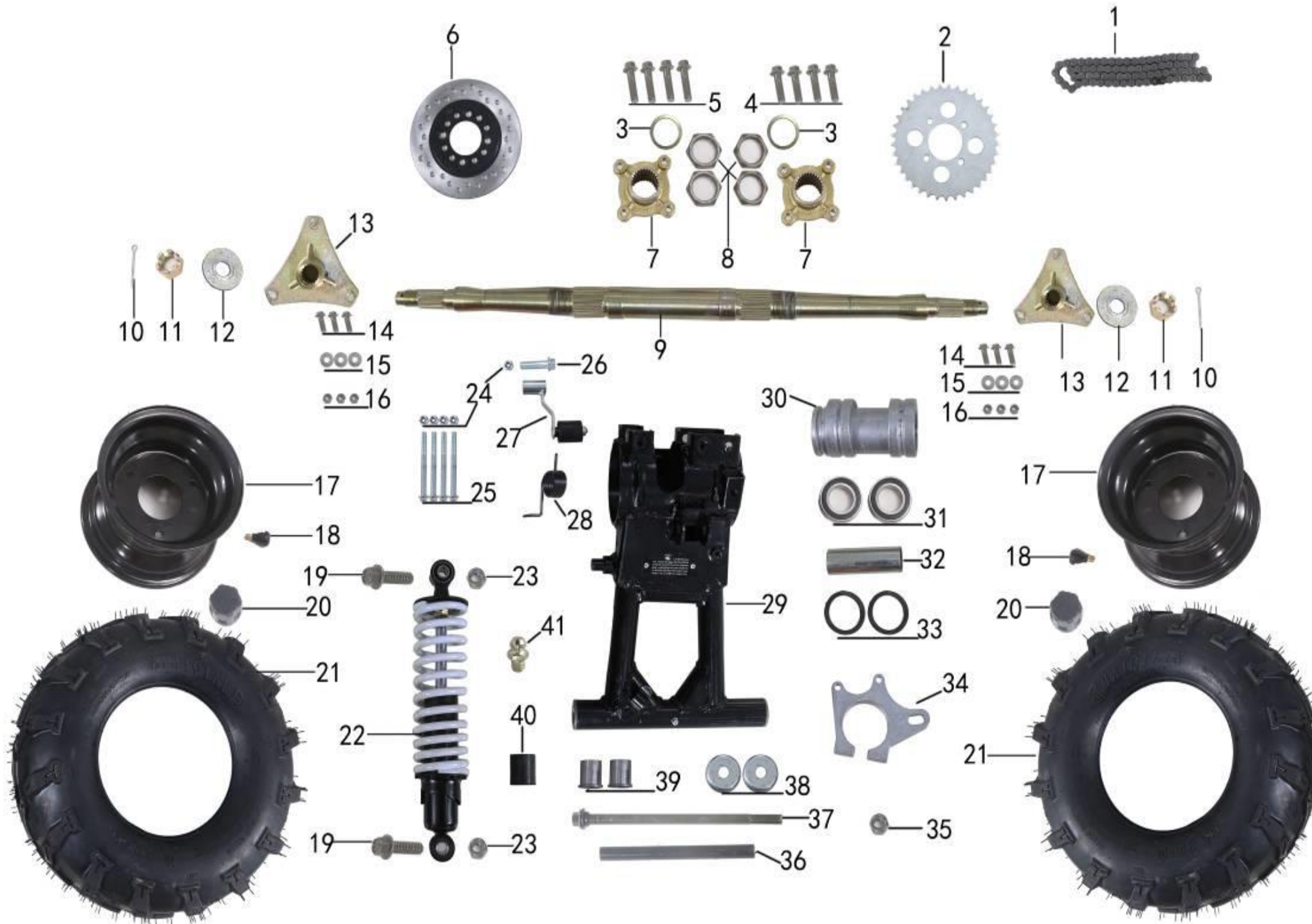
Engine and oil supply system

No.	English name	Specification	Qty	ERP No.	No.	English name	Specification	Qty	ERP No.
1	Exhaust Pipe Assembly	专用	1	112943	26	Fuel Line; φ4.5×φ8.5×200	φ8*φ4.5*200	1	100271
2	Muffler Clamp; φ30	φ30	2	113708	27	Fuel Line; φ4.5×φ8.5×100	φ8*φ4.5*100	4	100269
3	Locknut; M6	M6	2	600791	28	Cross Large Flat Head bolt; M6x20	M6*20	1	600680
4	Muffler Gasket; OD: 31.5mm ID: 23.5mm	同小50	1	102419	29	Flat Washer; φ6x16x1.5	φ6	1	105450
5	Intake Manifold Gasket		1	106945	30	Locknut; M6	M6	1	105273
6	Intake Manifold	同小50	1	600689	31	Tube Fasten Clip; φ8	φ8	10	101449
7	Hex Nut; M8×20	M8×20	2	105712	32	Column Hex Socket Bolt; M6x16	M6*16	1	600728
8	Muffler Spacer; φ20xφ8x19	φ20*φ8*19	1	112944	33	Locknut; M6	M6	3	105272
9	Hex Flange Bolt; M8x35	M8*35	1	105223	34	Fuel Valve / Petcock/Fuel Pump	通用	1	102241
10	Flat Washer; φ8x20x1.5	φ8*φ20*1.5	1	106932	35	Hex Flange Bolt; M8x20	M8*20	1	105204
11	Locknut; M8	M8	1	105276	36	Hex Flange Bolt; M6x20	M6*20	1	105141
12	Manual Choke Carburetor; PZ19	PZ19手拉风门	1	101333	37	Gear Shifter Rod	专用	1	602449
13	Tube Shape Air Filter Assembly; 防水	同小50	1	115510	38	Hex Nut; M10*1.5	M10*1.5	1	105487
14	Engine Sprocket Covers	110通用	1	110975	39	Gear Shifter Handle for ATA 135 DU and more	同110卡丁车	1	101088
15	Hex Flange Bolt; M8x105	M8×115	1	104928	40	Fuel Tank Panel Washer		2	600710
16	Hex Nut; M8×20	M8×20	2	105712					
17	110CC Auto w/Reverse, Elec. Start Engine Assembly	110CC (1+1) 14齿	1	602106					
17	Zongshen engine	110CC (1+1) 14齿	1	115947					
18	Hex Flange Bolt; M8x115	M8×105	1	104925					
19	Locknut; M8	M8	2	105276					
20	Fuel Tank-ATV; @50	50螺纹口	1	102297					
21	Fuel Tank Installation Spacer; φ8*φ10*9	φ8*φ10*9	2	115016					
22	Sponge Mat; 55*20*5	55*20*5	2	115015					
23	Fuel Tank Cap	通用	1	101678					

24		Fuel Tank Cap Vent Tube	通用	1	600566		
25		Fuel Filter Universal	通用	2	600801		

ZHE JIANG TAOTAO VEHICLES CO.,LTD

ATA110-C Parts list



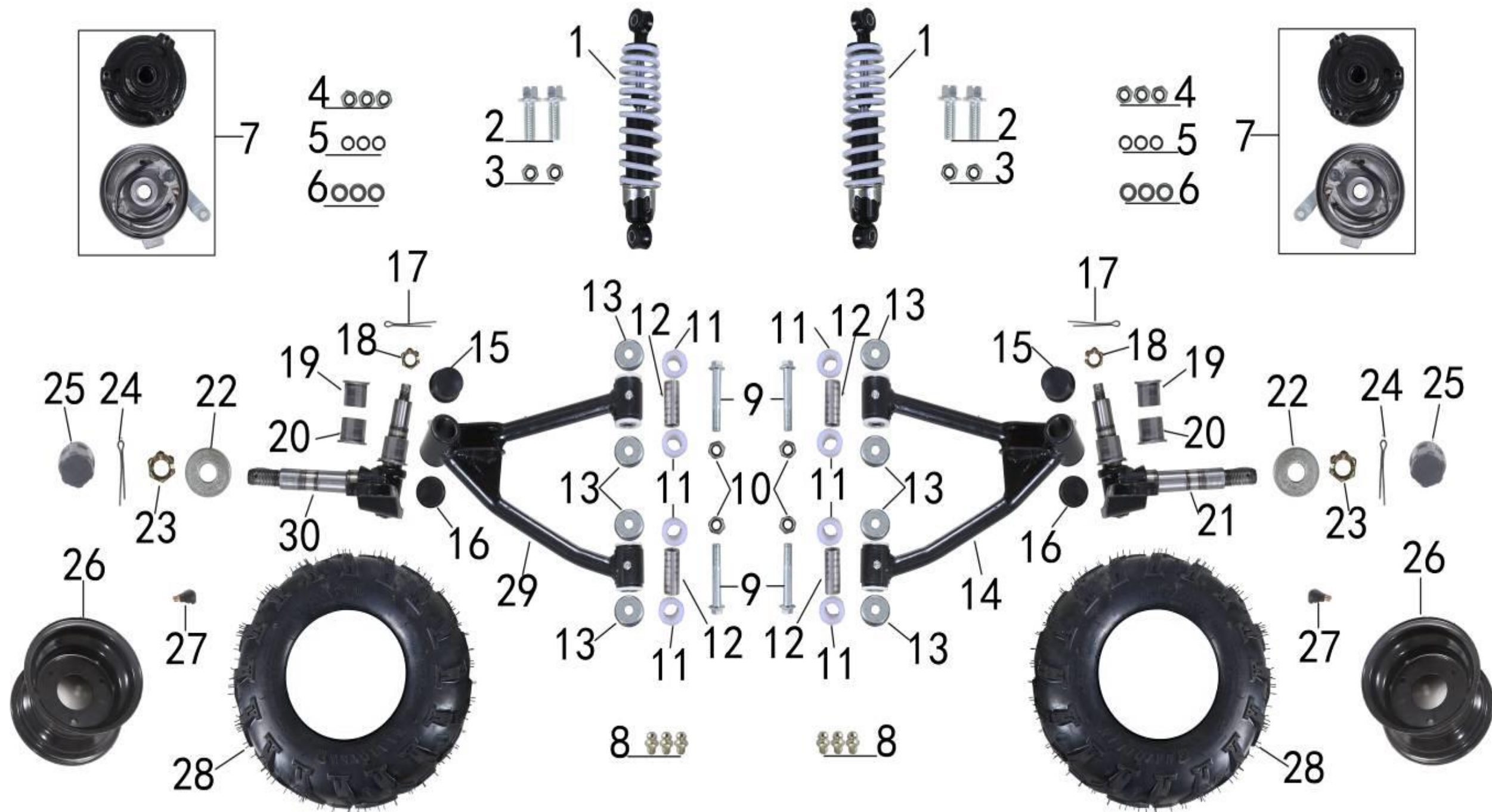
Rear suspension system

No.	English name	Specification	Qty	ERP No.	No.	English name	Specification	Qty	ERP No.
1	#428 Drive Chain; 428-84	428#84节	1	112941	27	Chain Tension Wheel	专用	1	112927
2	Rear Sprocket; 428-37	428#37齿	1	101589	28	Chain Tensioner Spring	专用	1	112928
3	Rear Axle Washer; φ27	φ36*φ28*2	2	600804	29	ATV Swing Arm	专用/2.4kg	1	602431
4	Hex Flange Bolt; M8x1.25x16	M8*16	4	105195	30	Rear Axle Carrier W/Bearing	专用	1	112919
5	Hex Flange Bolt; M8x14	M8*14	4	105187	31	Ball Bearing; 6006	6006	2	102817
6	Disk Brake Rotor; φ168	φ168	1	112926	32	Rear Axle Carrier Spacer; φ35*φ30.5*107	φ35*φ30.5*107	1	112918
7	Brake Disc/Sprocket Hub for ATA 110 B/B1 and more	28齿	2	100866	33	Oil Seal Bearing 6006; 35x55x8 for JAGUAR	55*35*8	2	102502
8	Hex Nut; M27x1.5	M27*1.5	4	104862	34	Rear Disc Brake Installation Fixed Seat for JAGUAR	专用	1	112920
9	Rear Axle	专用	1	112925	35	Locknut; M12x1.25	M12*1.25	1	105259
10	Cotter Pin; φ3x40	φ3*40	2	105340	36	Swing Arm Spacer; φ18xφ12x218.5	φ18*φ12*218.5	1	112922
11	Castle Nut; M16x1.5	M16*1.5	2	105329	37	Hex Flange Bolt; M12x245x1.25	M12*1.25*245	1	105073
12	Flat Washer; φ45xφ16x2.5	φ45*φ16*2.5	2	105418	38	Swing Arm Sealing Cover; φ39x10	φ39*10	2	112924
13	Rear Rim Hub; 17 Spline	17齿专用	2	113051	39	Swing Arm Spacer Powder Metallurgy; φ30xφ26xφ18	φ30*φ26*φ18	2	112921
14	Hex Flange Bolt; M8x20	M8*20	6	105205	40	Swing Arm Wear-Resisting Rubber Sleeve; φ36xφ30xφ38	φ36*φ30*φ38	1	112923
15	Locknut; M8	M8	6	105277	41	Grease Fitting; M6x9	M6*9	1	108287
16	Flat Washer; φ8xφ20x1.5	φ8*φ20*1.5	6	105466					
17	7" Rim	7寸	2	110120					
18	Valve Stems for All ATVs and Go Karts	通用	2	108238					
19	Hex Flange Bolt; M10x40x1.25	M10*40*1.25	2	105004					
20	Dust Cover	通用	2	108326					
21	7" Tire; 16x8-7	16*8-7	2	102748					
22	Front Shock Assembly; 300mm	300mm	1	112935					
23	Hex Flange Bolt; M10x1.25	M10*1.25	2	105253					

24		Locknut; M8	M8	5	105277		
25		Hex Flange Bolt; M8×90	M8*90	4	105247		
26		Hex Flange Bolt; M8×55	M8*55	1	105234		

ZHE JIANG TAOTAO VEHICLES CO.,LTD

ATA110-C Parts list



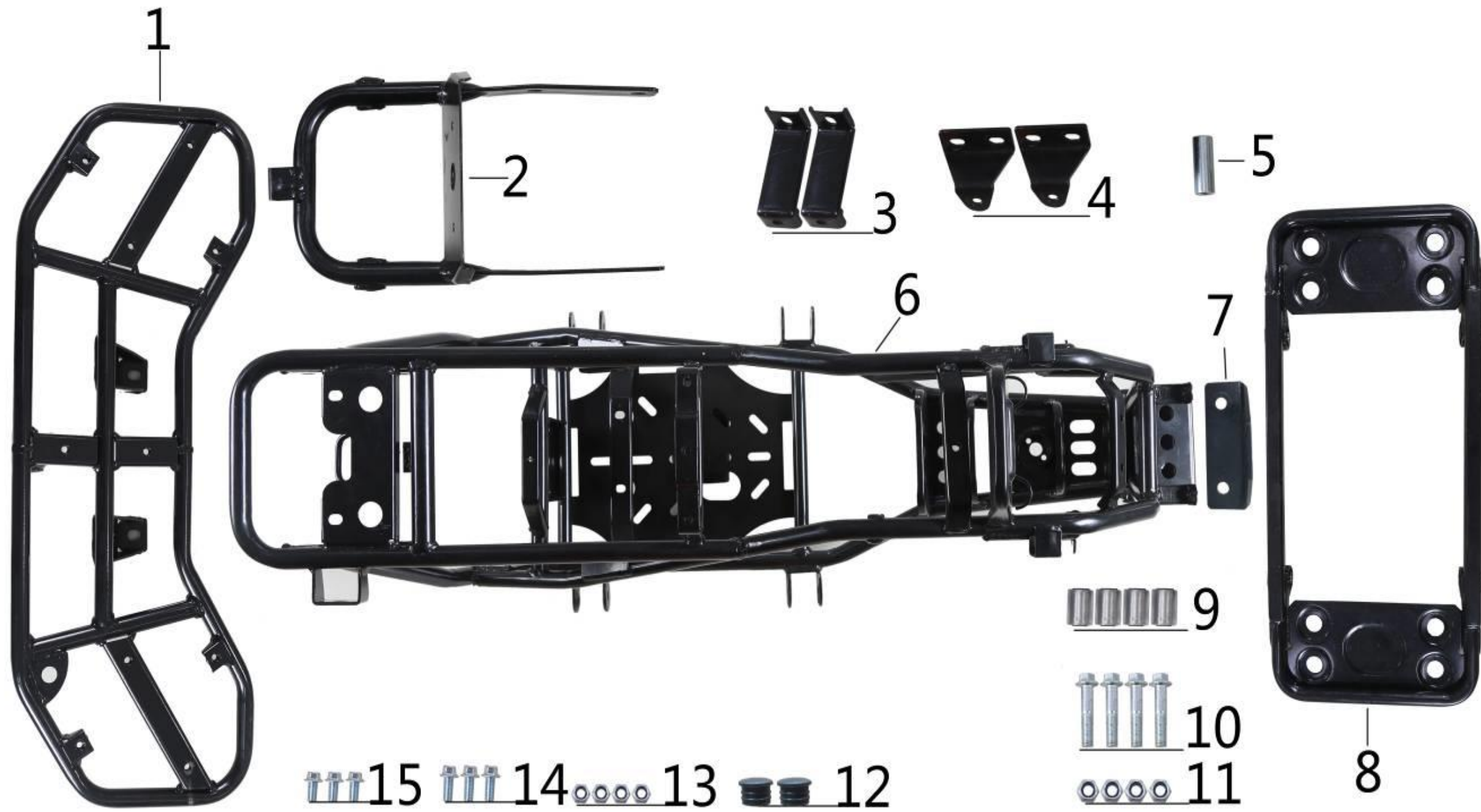
Rear suspension system

No.	English name	Specification	Qty	ERP No.	No.	English name	Specification	Qty	ERP No.
1	FRONT SHOCK Assembly (Pair); 243±1mm	243±1mm	2	112936	27	Valve Stems for All ATVs and Go Karts	通用	2	108238
2	Hex Flange Bolt; M10x40x1.25	M10*40*1.25	2	105004	28	7" Tire; 16x8-7	16*8-7	2	102748
3	Locknut; M8	M10*1.25	5	105277	29	Right A-Arm for JAGUAR	专用	1	602439
4	Hex Flange Bolt; M10x1.25	M8	6	105253	30	Right Spindle for JAGUAR	专用	1	602441
5	Spring Washer; M8	M8	12	104884					
6	Flat Washer; φ8x20x1.5	φ8	12	106932					
7	Drum Brake Assembly - Front Left and Right Set	新50型/左右	1套	112954					
8	Grease Fitting; M6x9	M6*9	6	108287					
9	Hex Flange Bolt; M10x1.25x70	M10*1.25*70	4	105027					
10	Locknut; M10x1.25	M10*1.25	4	105254					
11	Nylon Bushing; φ30xφ25xφ18x20	φ30*φ25*φ18*20	8	112930					
12	Front Rocker Arm Spacer; φ17.7xφ10x49	φ17.7*φ10*49	4	112931					
13	Rocker Arm Sealing Cover; φ37xφ10	φ37*φ10	8	112934					
14	Left A-Arm; 0.8kg for JAGUAR	专用/0.8kg	1	602437					
15	Metal Tube Rubber Cap	橡胶专用	2	112937					
16	Metal Tube Rubber Cap	橡胶专用	2	112955					
17	Cotter Pin; φ2.5x30	φ2.5*30	2	105338					
18	Castle Nut; M10x1.5	M10*1.5	2	105321					
19	Spindle Spacer; φ25.5xφ21xφ15.5x20	φ25.5*φ21*φ15.5*20	2	112932					
20	Steering Shaft Bushing; φ25.5xφ21xφ17x20	φ25.5*φ21*φ17*20	2	112933					
21	Left Spindle	专用/0.6kg	1	112912					
22	Flat Washer; φ40xφ14x2	φ40*φ14*2	2	111607					
23	Castle Nut; M14x1.5	M14*1.5	2	105325					

24		Cotter Pin; $\phi 3 \times 40$	$\phi 3 * 40$	2	105340		
25		Dust Cover	通用	2	108326		
26		7" Rim	7寸	2	110120		

ZHE JIANG TAOTAO VEHICLES CO.,LTD

ATA110-C Parts list



Frame system

No.	English name	Specification	Qty	ERP No	No.	English name	Specification	Qty	ERP No
1	Off Road Vehicle Rear Rack for	专用	1	602433					
2	Rear Lifter for JAGUAR	专用	1	602435					
3	Face Panel Bracket for JAG	专用	2	602446					
4	Engine Mount Bracket for JA	专用	2	602443					
5	Engine pylon spacer; φ20×φ	φ20*φ8.5*6	1	112917					
6	Main Frame for JAGUAR	专用	1	602425					
7	Front Bumper Connection Plate f	专用	1	602455					
8	Floor Plate	专用	1	602429					
9	Bushing; 10x30x35	φ10*φ30*35	4	101355					
10	Hex Flange Bolt; M10×55×	M10*1.25*55	4	105015					
11	Locknut; M10×1.25	M10*1.25	4	105254					
12	Metal Tube Rubber Cap; φ	φ22	2	102415					
13	Locknut; M8	M8	5	105277					
14	Hex Flange Bolt; M8x16	M8*16	9	105194					
15	Hex Flange Bolt; M8x20	4	105204	0.169					